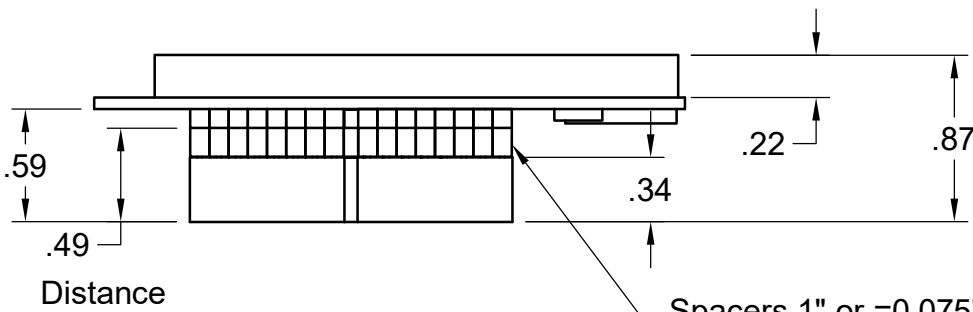
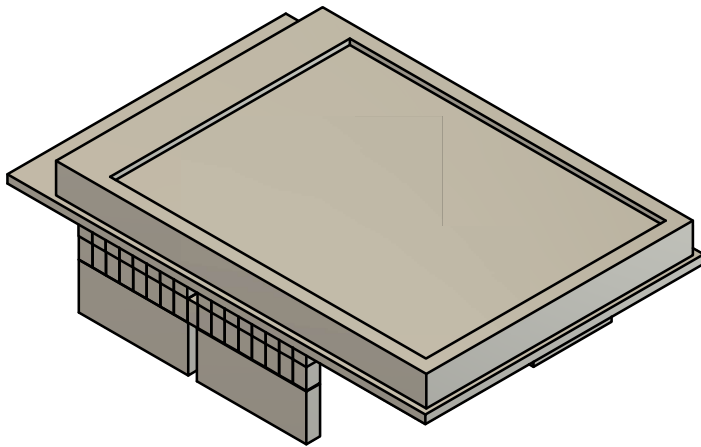


Opto Block

Space for Opto Block
Minimum 2x2.77



Spacers 1" or =0.075"
depending on Stacksize



PROJECT

Clogging Monitor Dez 2021

TITLE

A1 Velleman with long stacks

APPROVED

SIZE

CODE

DWG NO

REV

CHECKED

A

DRAWN

Peter Neukomm 18.12.2021

SCALE 1:1

WEIGHT

SHEET 1/1