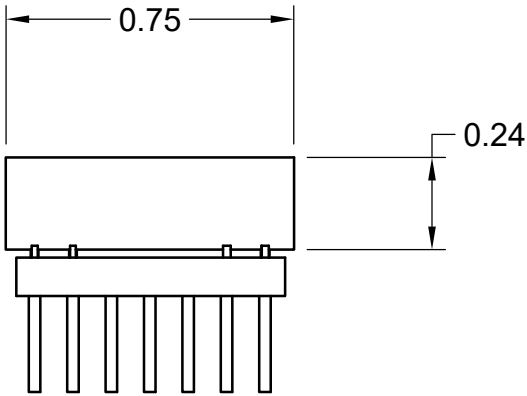
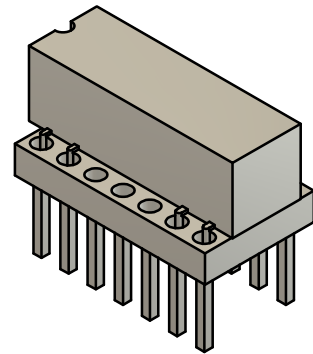


5 V 10 mA



		PROJECT		
		Clogging Monitor Dez 2021		
		TITLE		
		A14 Modul 1 Relay		
APPROVED	SIZE	CODE	DWG NO	REV
CHECKED	A			
DRAWN	Peter Neukomm	01.03.2022	SCALE 2:1	WEIGHT
			SHEET	1/1