

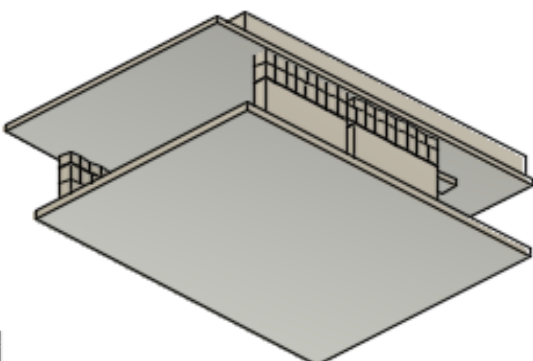
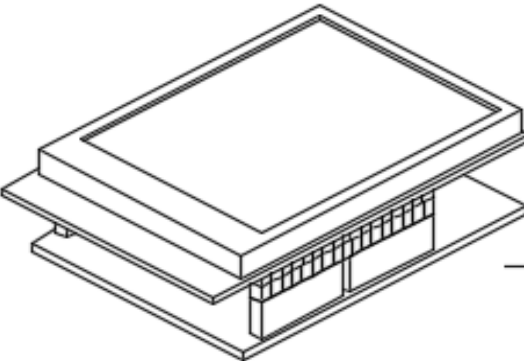
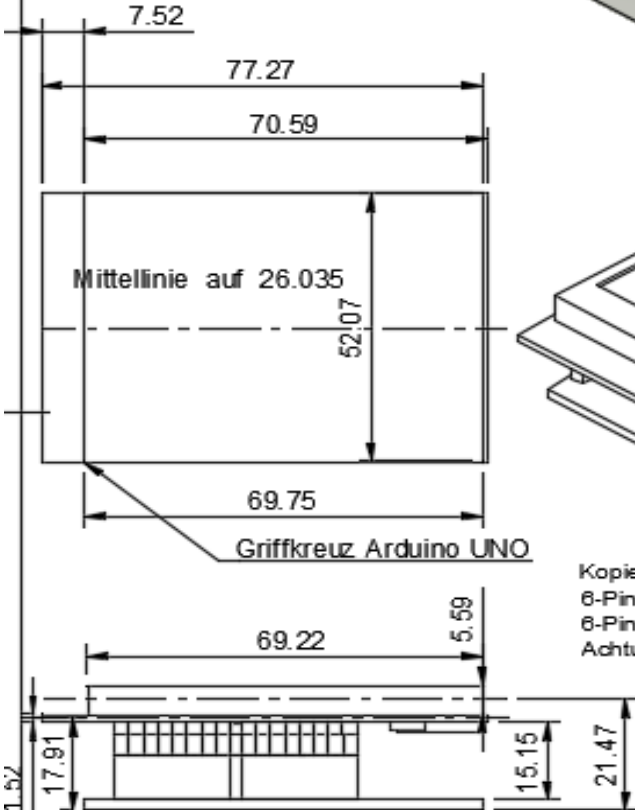
2. Konstruktion 3D Velleman Display

PAN, 16. Juli 2022

Aufgaben:

1. Original *Arduino-Uno_Shield_Rev3* Stacks kürzen 2x8 und 2x6 Pin
2. 6-Pin ICSP Stack entfernen auf Platine
3. Velleman mit Display einfügen mit neuen Sytnax Befehlen

Achtung: Zwei Stacks von Target von Arduino Uno Rev 3 müssen gekürzt werden zu 2x8 und 2x6 Pin
Mittellinie für Velleman Display:
 $x = -7.5$ bis 70 , $y = 26.035$ bis 26.035 , $z = 17.9$
 Breite 52.1, Höhe 1.56
 Display Fenster 49.8 x 69

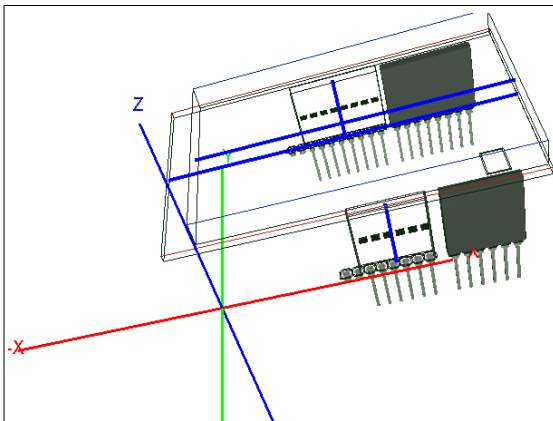




7.52
77.27
70.59
Mittellinie auf 26.035
52.07
69.75
Griffkreuz Arduino UNO
69.22
5.59
1.56
17.91
15.15
21.47

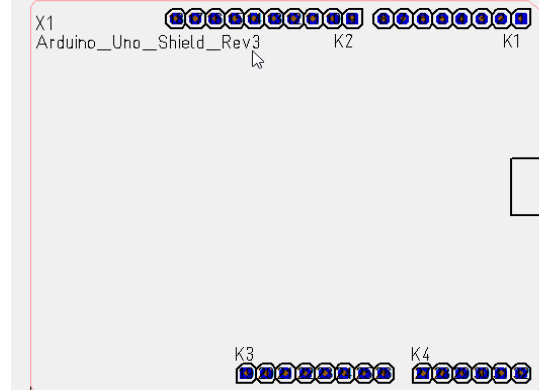
Kopie von Arduino UNO Rev 3 erstellen
 6-Pin Stack auf 3D-Syntax löschen
 6-Pin Lötäugen 33 bis 38 löschen
 Achtung: Rahmen Arduino stehen lassen

Dept.	Technical reference	Created by Peter Neukomm 27.06.2022	Approved by	
		Document type	Document status	
		Title A1 Velleman + Arduino UNO	DWG No.	
		Rev.	Date of issue	Sheet 1/1

Neues Target Projekt, Platine mit Schaltplan, Neues Bauteil
 Aufruf Arduino_UNO_Shield_Rev 3
 USER Kopie erstellen, 3D aufrufen und Syntax ergänzen



Gekürzten 8-Pin und 6-Pin
 als Drahtgitter mit Mittellinie gezeigt
 Auch Velleman nur als Drahtgitter



Auf Platine ICSP 6 Pin Dukos entfernt
 Vorsicht: nicht zuviel löschen!
 Rechte Platinen-Begrenzung begradigen

Syntax für Velleman Display

-S-7.5,26.035,17.9,70,26.035,17.9,52.1,1.56,\$0000FF,0,Velleman
 -S0,26.035,21.5,69.5,26.035,21.5,49.8,5.6,\$FF0000,0,Display Höhe 5.6

S54.61,50.8,0.1,54.61,50.8,17,20.82,2.54,\$443644,0.2,Mittellinie ok, Original ok
 S45.72,50.8,8.5,45.72,50.8,8.61,1.8,1.8,\$000000
 S48.26,50.8,8.5,48.26,50.8,8.61,1.8,1.8,\$000000
 S50.8,50.8,8.5,50.8,50.8,8.61,1.8,1.8,\$000000
 S53.34,50.8,8.5,53.34,50.8,8.61,1.8,1.8,\$000000
 S55.88,50.8,8.5,55.88,50.8,8.61,1.8,1.8,\$000000
 S58.42,50.8,8.5,58.42,50.8,8.61,1.8,1.8,\$000000
 S60.96,50.8,8.5,60.96,50.8,8.61,1.8,1.8,\$000000
 S63.5,50.8,8.5,63.5,50.8,8.61,1.8,1.8,\$000000
 S45.72,50.8,0.1,45.72,50.8,-12,0.65,0.4,\$888888
 S48.26,50.8,0.1,48.26,50.8,-12,0.65,0.4,\$888888
 S50.8,50.8,0.1,50.8,50.8,-12,0.65,0.4,\$888888
 S53.34,50.8,0.1,53.34,50.8,-12,0.65,0.4,\$888888
 S55.88,50.8,0.1,55.88,50.8,-12,0.65,0.4,\$888888
 S58.42,50.8,0.1,58.42,50.8,-12,0.65,0.4,\$888888
 S60.96,50.8,0.1,60.96,50.8,-12,0.65,0.4,\$888888
 S63.5,50.8,0.1,63.5,50.8,-12,0.65,0.4,\$888888

-S32.766,50.8,0.1,32.766,50.8,17,20.86,2.54,\$000000,0,Gekürzt Mittellinie 2.54 nach rechts
 xS18.796,50.8,8.5,18.796,50.8,8.61,1.8,1.8,\$000000, deaktiviert
 xS21.336,50.8,8.5,21.336,50.8,8.61,1.8,1.8,\$000000, deaktiviert
 S23.876,50.8,8.5,23.876,50.8,8.61,1.8,1.8,\$000000
 S26.416,50.8,8.5,26.416,50.8,8.61,1.8,1.8,\$000000
 S28.956,50.8,8.5,28.956,50.8,8.61,1.8,1.8,\$000000
 S31.496,50.8,8.5,31.496,50.8,8.61,1.8,1.8,\$000000
 S34.036,50.8,8.5,34.036,50.8,8.61,1.8,1.8,\$000000
 S36.576,50.8,8.5,36.576,50.8,8.61,1.8,1.8,\$000000
 S39.116,50.8,8.5,39.116,50.8,8.61,1.8,1.8,\$000000
 S41.656,50.8,8.5,41.656,50.8,8.61,1.8,1.8,\$000000
 xS18.796,50.8,0.1,18.796,50.8,-12,0.65,0.4,\$888888, deaktiviert
 xS21.336,50.8,0.1,21.336,50.8,-12,0.65,0.4,\$888888, deaktiviert
 S23.876,50.8,0.1,23.876,50.8,-12,0.65,0.4,\$888888
 S26.416,50.8,0.1,26.416,50.8,-12,0.65,0.4,\$888888
 S28.956,50.8,0.1,28.956,50.8,-12,0.65,0.4,\$888888

S31.496,50.8,0.1,31.496,50.8,-12,0.65,0.4,\$888888
S34.036,50.8,0.1,34.036,50.8,-12,0.65,0.4,\$888888
S36.576,50.8,0.1,36.576,50.8,-12,0.65,0.4,\$888888
S39.116,50.8,0.1,39.116,50.8,-12,0.65,0.4,\$888888
S41.656,50.8,0.1,41.656,50.8,-12,0.65,0.4,\$888888

-S38.83,2.54,0.1,38.83,2.54,17,15.78,2.54,\$443644,0.2,gekürzt, Mittellinie 2.54 nach rechts
xS27.94,2.54,8.5,27.94,2.54,8.61,1.8,1.8,\$000000,0,Deckel entfernt (mit Stift?)
xS30.48,2.54,8.5,30.48,2.54,8.61,1.8,1.8,\$000000,0,Deckel entfernt (mit Stift?)
S33.02,2.54,8.5,33.02,2.54,8.61,1.8,1.8,\$000000
S35.56,2.54,8.5,35.56,2.54,8.61,1.8,1.8,\$000000
S38.1,2.54,8.5,38.1,2.54,8.61,1.8,1.8,\$000000
S40.64,2.54,8.5,40.64,2.54,8.61,1.8,1.8,\$000000
S43.18,2.54,8.5,43.18,2.54,8.61,1.8,1.8,\$000000
S45.72,2.54,8.5,45.72,2.54,8.61,1.8,1.8,\$000000
xS27.94,2.54,0.1,27.94,2.54,-12,0.65,0.4,\$888888,0,Stift entfernt
xS30.48,2.54,0.1,30.48,2.54,-12,0.65,0.4,\$888888,0,Stift entfernt
S33.02,2.54,0.1,33.02,2.54,-12,0.65,0.4,\$888888
S35.56,2.54,0.1,35.56,2.54,-12,0.65,0.4,\$888888
S38.1,2.54,0.1,38.1,2.54,-12,0.65,0.4,\$888888
S40.64,2.54,0.1,40.64,2.54,-12,0.65,0.4,\$888888
S43.18,2.54,0.1,43.18,2.54,-12,0.65,0.4,\$888888
S45.72,2.54,0.1,45.72,2.54,-12,0.65,0.4,\$888888

S57.15,2.54,0.1,57.15,2.54,17,15.74,2.54,\$443644,0.2
S50.8,2.54,8.5,50.8,2.54,8.61,1.8,1.8,\$000000
S53.34,2.54,8.5,53.34,2.54,8.61,1.8,1.8,\$000000
S55.88,2.54,8.5,55.88,2.54,8.61,1.8,1.8,\$000000
S58.42,2.54,8.5,58.42,2.54,8.61,1.8,1.8,\$000000
S60.96,2.54,8.5,60.96,2.54,8.61,1.8,1.8,\$000000
S63.5,2.54,8.5,63.5,2.54,8.61,1.8,1.8,\$000000
S50.8,2.54,0.1,50.8,2.54,-12,0.65,0.4,\$888888
S53.34,2.54,0.1,53.34,2.54,-12,0.65,0.4,\$888888
S55.88,2.54,0.1,55.88,2.54,-12,0.65,0.4,\$888888
S58.42,2.54,0.1,58.42,2.54,-12,0.65,0.4,\$888888
S60.96,2.54,0.1,60.96,2.54,-12,0.65,0.4,\$888888
S63.5,2.54,0.1,63.5,2.54,-12,0.65,0.4,\$888888

xS64.8,28,0.1,64.8,28,8.6,5.08,7.62,\$443644,0.2, alle weiteren zu 6-Pin deaktiviert
xS66.2,25.4,0.1,66.2,25.4,-12,0.65,0.4,\$888888,0
xS66.2,27.94,0.1,66.2,27.94,-12,0.65,0.4,\$888888,0
xS66.2,30.48,0.1,66.2,30.48,-12,0.65,0.4,\$888888,0
xS63.66,25.4,0.1,63.66,25.4,-12,0.65,0.4,\$888888,0
xS63.66,27.94,0.1,63.66,27.94,-12,0.65,0.4,\$888888,0
xS63.66,30.48,0.1,63.66,30.48,-12,0.65,0.4,\$888888,0

xS66.2,25.4,0.1,66.2,25.4,8.61,1.8,1.8,\$000000
xS66.2,27.94,0.1,66.2,27.94,8.61,1.8,1.8,\$000000
xS66.2,30.48,0.1,66.2,30.48,8.61,1.8,1.8,\$000000
xS63.66,25.4,0.1,63.66,25.4,8.61,1.8,1.8,\$000000
xS63.66,27.94,0.1,63.66,27.94,8.61,1.8,1.8,\$000000
xS63.66,30.48,0.1,63.66,30.48,8.61,1.8,1.8,\$000000